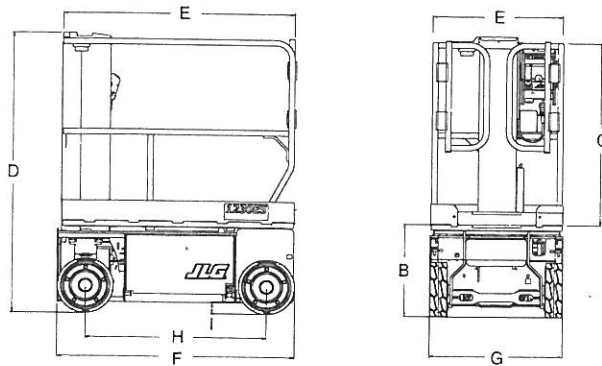
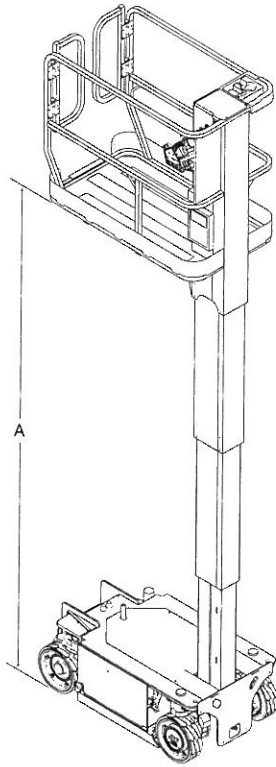


JLG MODEL 1230ES



Mast Lifts

1230ES

Working Height	5.66 m
A. Platform Height - Elevated	3.66 m
B. Platform Height - Lowered	0.52 m
C. Platform Rail Height	1.10 m
D. Stowed Height	1.65 m
E. Platform Size (W x L)	0.69 m x 1.26 m
F. Overall Length	1.36 m
G. Overall Width	0.76 m
H. Wheelbase	1.04 m
I. Ground Clearance (Stowed)	6.5 cm
Platform Capacity ¹	230 kg
Lift/Lower Time	12 / 12 sec.
Maximum Drive Height	3.66 m
Weight ²	790 kg
Maximum Ground Bearing Pressure	8.65 kg/cm ²
Drive Speed Lowered	4.8 km/h
Drive Speed Elevated	0.8 km/h
Gradeability	25%
Turning Radius - Inside	11 cm
Turning Radius - Outside	1.46 m
Tyres (Non-Marking Solid)	323 x 100
Brakes	Automatic Spring Applied
Drive	24V Electric 6 kW
Batteries	4 x 6V 220 A/hr
Charger (120/240V - 50/60Hz)	20 Amp Automatic
Hydraulic System	4.0 L

¹Capacity - 1 person + tools and equipment up to maximum 230kg.

²Certain options or country standards may increase weight and/or dimensions.

