

BUILT FROM EXPERIENCE

The JLG Telehandler range



JLG[®]

COMPACT TELEHANDLERS



Partsno. BUK023



Partsno. GRC017



Partsno. JBB045



UNEQUALLED PRECISION AND PERFORMANCE

JLG's compact range of telehandlers are designed to take the convenience of a telescopic handler a step forward in terms of usability, performance and comfort.

Enhanced steer angle, optional 4-wheel alignment, electronic boom angle sensing and outstanding hydraulic performance - JLG compact telehandlers can take on most any kind of task.

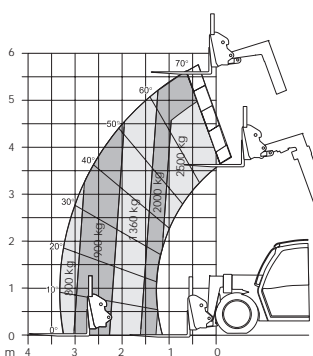
FEATURES:

- Comfortable cabin and layout
- Fuel capacity for up to 8 hours of continuous work
- Tight turning radius
- Side mounted air outlet from engine compartment
- Rear wheel assisted steering alignment

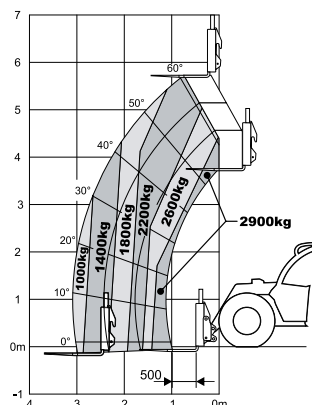


SPECS COMPACT MODELS:

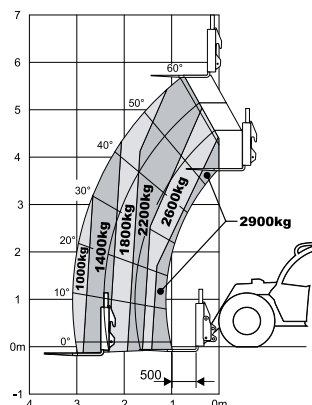
	2505	L2906H	2906H	3507H
Performance				
Max. Lift capacity	2.500 kg	2.900 kg	2.900 kg	3.500 kg
Capacity at full height	2.000 kg	2.200 kg	2.200 kg	2.600 kg
Maximum Forward reach	3.30 m	3.16 m	3.16 m	3.90 m
Lifting height	5.60 m	5.80 m	5.80 m	6.90 m
Reach at maximum height	0.60 m	0.80 m	0.80 m	0.90 m
Break-out force with standard bucket	36 kN	34.8 kN	34.8 kN	55 kN
Towing capacity	3.946 kg	5.000 kg	5.000 kg	5.000 kg
Dimensions				
Overall Height	1.90 m	2.00 m	2.35 m	2.45 m
Overall Width	1.80 m	2.11 m	2.11 m	2.33 m
Width of Cab	0.87 m	0.89 m	0.89 m	0.89 m
Track Width	1.49 m	1.63 m	1.63 m	1.89 m
Wheelbase	2.29 m	2.76 m	2.70 m	2.98 m
Length at Front Wheels	3.28 m	3.89 m	3.94 m	4.23 m
Length at Forkholder Plate	3.65 m	4.48 m	4.47 m	5.02 m
Ground Clearance	0.27 m	0.34 m	0.44 m	0.46 m
Turning Radius over Tyres	3.20 m	3.70 m	3.70 m	3.89 m
Turning Radius at Fork	4.29 m	4.67 m	4.67 m	5.05 m
Gross Vehicle Weight (maximum)	6.050 kg	6.743kg	6.743 kg	8.096 kg
Engine & Transmission				
Diesel Engine	Perkins 1104D - 44T Tier III 62.6 kW	Deutz TCD 2012 Tier III 74.9KW	Deutz TCD 2012 Tier III 74.9KW	Deutz TCD 2012 Tier III 74.9KW / 102 hp
Maximum Travel Speed	29 km/h	32 km/h	32 km/h	32 km/h
Transmission	Hydrostatic	Hydrostatic	Hydrostatic	Hydrostatic
Drive	4 x 4	4 x 4	4 x 4	4 x 4
Number of gears (forward / reverse)	1/1	2/2	2/2	2/2
Gradeability	45%	45%	45%	45%
Steering	4WS/ Front Steer/ Crab Steer	4WS/ Front Steer/ Crab Steer	4WS/ Front Steer/ Crab Steer	4WS/ Front Steer/ Crab Steer
Hydraulic System	Gear Pump 84 L/min	Load Sensing Type 102 L/min	Load Sensing Type 102 L/min	Load Sensing Type 102 L/min
Fuel capacity	91 L	95 L	95 L	102 L
Tyres	12 x 16.5	405/70-20	405/70-20	405/70-24



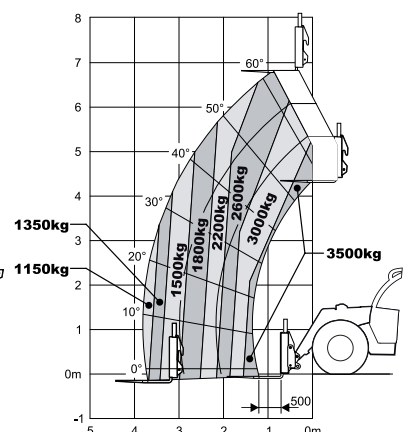
2505



L2906H



2906H



3507H

Denmark

Tel: +45 (0) 43 54 43 22
Rosenvangen 15
2635 Ishøj

France

Tel: +33 (0) 553 88 31 70
JLG France SAS
2i Guillaume Mon Amy
47400 Tonneins

Sverige

Tel: +46 (0) 8 506 59500
JLG Sverige AB
Enköpingsvägen 150
Box 704, SE-175 27 Järfälla

Deutschland

Tel: +49 (0) 421 693 5010
JLG Deutschland GmbH
Max Planck Strasse 21
D-27721 Ritterhude/Ihlpohl (Bei Bremen)

Italia

Tel: +39 02 9359 5210
JLG Industries (Italia)s.r.l.
Via Po, 22
20010 Pregnana Milanese MI

United Kingdom

Tel: +44 (0) 161 654 1000
JLG Industries (United Kingdom) Limited
Bentley House, Bentley Avenue
Middleton, Greater Manchester
M24 2GP

España

Tel: +34 93 772 47 00
JLG Iberica, SL
Trapadella, 2
Pol. Ind. Castellbisbal Sur
08755 Castellbisbal (Barcelona)

Polska

Tel: +48 (0) 91 43 58 200
JLG Polska z.o.o.
Krolewska 27
00-060 Warszawa

JLG Industries, Inc.

Tel: +1 717 485 5161
Fax: +1 717 485 5600
1 JLG Drive
McConnellsburg, PA 17233-9553
USA

JLG Manufacturing Europe bvba

Tel: +32 (0a) 89 77 49 74
Fax: +32 (0) 89 77 74 27
Oude Bunders 1043
Breitwaterstraat 12a
B-3630 Maasmechelen
Belgium

JLG Europe BV

Tel: +31 (0)23 565 5665
Fax: +31 (0)23 557 2493
Polaris Avenue 63
2132 JH Hoofddorp
The Netherlands

www.jlgeurope.com

JLG Industries, Inc. is a leading designer and manufacturer of access equipment and complementary services and accessories.

JLG has manufacturing facilities in the United States, France and Belgium. Customers throughout Europe, Scandinavia, Africa and the Middle East benefit from a network of dedicated sales and service operations designed to deliver the highest levels of support.

JLG is a subsidiary of Oshkosh Corporation.

Form No.: TMH-CON-0001
Part No.: TMH-CON-0310-ENG



JLG is continually researching and developing products and reserves the right to make modifications without prior notice. All data in this document is indicative. Certain options or country standards will increase weight. Specifications may change to meet country standards or with the addition of optional equipment.

