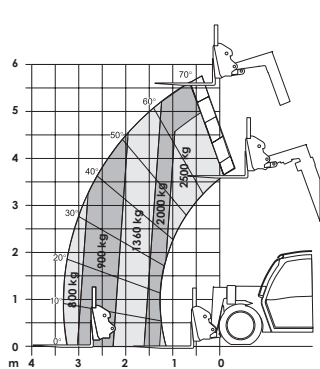
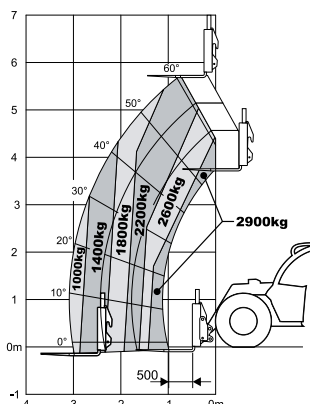


SPECS COMPACT MODELS:

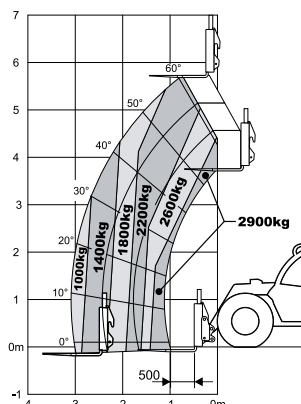
| | 2505 | L2906H | 2906H | 3507H |
|--------------------------------------|--|--------------------------------------|--------------------------------------|---|
| Performance | | | | |
| Max. Lift capacity | 2.500 kg | 2.900 kg | 2.900 kg | 3.500 kg |
| Capacity at full height | 2.000 kg | 2.200 kg | 2.200 kg | 2.600 kg |
| Maximum Forward reach | 3.30 m | 3.16 m | 3.16 m | 3.90 m |
| Lifting height | 5.60 m | 5.80 m | 5.80 m | 6.90 m |
| Reach at maximum height | 0.60 m | 0.80 m | 0.80 m | 0.90 m |
| Break-out force with standard bucket | 36 kN | 34.8 kN | 34.8 kN | 55 kN |
| Towing capacity | 3.946 kg | 5.000 kg | 5.000 kg | 5.000 kg |
| Dimensions | | | | |
| Overall Height | 1.90 m | 2.00 m | 2.35 m | 2.45 m |
| Overall Width | 1.80 m | 2.11 m | 2.11 m | 2.33 m |
| Width of Cab | 0.87 m | 0.89 m | 0.89 m | 0.89 m |
| Track Width | 1.49 m | 1.63 m | 1.63 m | 1.89 m |
| Wheelbase | 2.29 m | 2.76 m | 2.70 m | 2.98 m |
| Length at Front Wheels | 3.28 m | 3.89 m | 3.94 m | 4.23 m |
| Length at Forkholder Plate | 3.65 m | 4.48 m | 4.47 m | 5.02 m |
| Ground Clearance | 0.27 m | 0.34 m | 0.44 m | 0.46 m |
| Turning Radius over Tyres | 3.20 m | 3.70 m | 3.70 m | 3.89 m |
| Turning Radius at Fork | 4.29 m | 4.67 m | 4.67 m | 5.05 m |
| Gross Vehicle Weight (maximum) | 6.050 kg | 6.743kg | 6.743 kg | 8.096 kg |
| Engine & Transmission | | | | |
| Diesel Engine | Perkins 1104D - 44T Tier III 62.6 kW | Deutz TCD 2012 Tier III 74.9KW | Deutz TCD 2012 Tier III 74.9KW | Deutz TCD 2012 Tier III 74.9KW / 102 hp |
| Maximum Travel Speed | 29 km/h | 32 km/h | 32 km/h | 32 km/h |
| Transmission | Hydrostatic | Hydrostatic | Hydrostatic | Hydrostatic |
| Drive | 4 x 4 | 4 x 4 | 4 x 4 | 4 x 4 |
| Number of gears (forward / reverse) | 1/1 | 2/2 | 2/2 | 2/2 |
| Gradeability | 45% | 45% | 45% | 45% |
| Steering | 4WS/ Front Steer/ Crab Steer | 4WS/ Front Steer/ Crab Steer | 4WS/ Front Steer/ Crab Steer | 4WS/ Front Steer/ Crab Steer |
| Hydraulic System | Gear Pump 84 L/min | Load Sensing Type 102 L/min | Load Sensing Type 102 L/min | Load Sensing Type 102 L/min |
| Fuel capacity | 91 L | 95 L | 95 L | 102 L |
| Tyres | 12 x 16.5 | 405/70-20 | 405/70-20 | 405/70-24 |



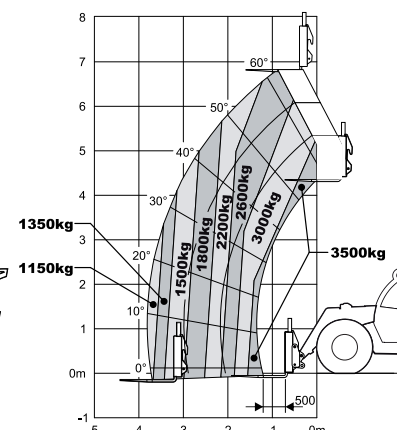
2505



L2906H



2906H



3507H