

nifty

HR17N

SELF PROPELLED ACCESS PLATFORM



17.20m (56ft 5in)
Working height

9.90m (32ft 6in)
Working Outreach

1.50m Narrow Chassis
Allows operation in
confined areas

Bi-Energy Available
Optimising utilisation

225kg SWL
Extra capacity for tools
and materials

Telescopic Upper Boom
Greater accuracy when
positioning platform

**Platform Rotation
& Flyboom**
Improving manoeuvrability
on site



niftylift.com



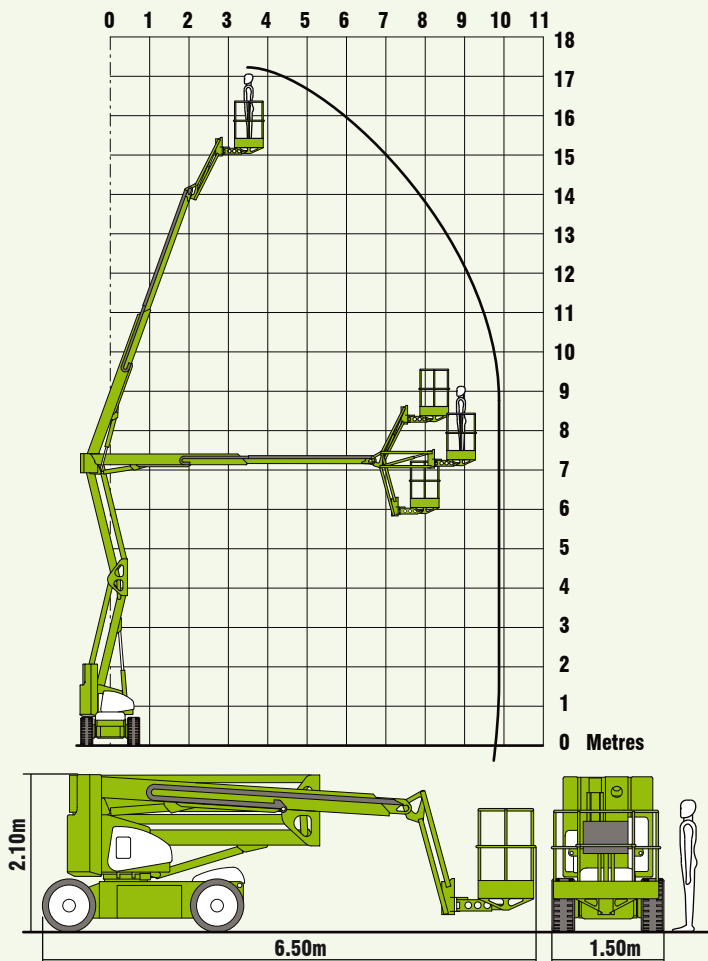
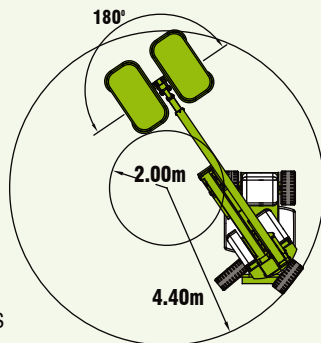
nifty

Heightrider 17N

The Nifty **Height Rider 17N** (HR17N) will lift 2 men and their tools to a working height of 17.20m or an outreach of 9.90m. Its impressive 180° platform rotation and 150° flyboom provide exceptional control when positioning the platform making tasks quicker and easier to perform. A super narrow 1.50m width base enables travel in restricted access areas and optional Bi-Energy power makes the **HR17N** even more versatile, allowing it to work both inside and out with equal ease.

SAFETY FEATURES

- Manual Recovery with Hand Pump
- Automatic Fail-Safe Brakes
- CE Mark
- Tilt Alarm
- Solid Tyres
- Dual Harness Points
- Dual Controls (platform & base)
- Lock Valves on all Hydraulic Cylinders



Due to a policy of continuing development and improvement, Niftylift reserves the right to change any specification without notice. Please confirm exact specification before ordering.



The Nifty **HR17N's** narrow base and outstanding outreach are ideal for tasks where floor space is limited or crowded and optional non-marking tyres make it perfect for industrial or maintenance work.

SPECIFICATIONS

Working Height	17.20m	56ft 5in
Platform Height	15.20m	49ft 10in
Working Outreach	9.90m	32ft 6in
Slew	360°	
Flyboom Arc	150°	
Width	1.50m	4ft 11in
Height	2.10m	6ft 11in
Length - Stowed	5.20m	17ft 1in
- Overall	6.50m	21ft 4in
Minimum Weight	7,200kg*	15,900lbs*
Turning Radius - Inside	2.00m	6ft 7in
- Outside	4.40m	14ft 5in
Platform Rotation	180°	
Platform Capacity	225kg	
Platform Size	1.50m x 0.70m	4ft 11in x 2ft 4in
Drive Speed	4kph	2.5mph
Gradeability	25%	
Control System	Fully Proportional Hydraulic	
Power System	Battery Only	
	LPG Only	
	Bi-Energy - Battery & Kubota 722 18Hp Diesel	

* Weights may vary according to specification, please confirm before ordering.

Supplied by:

Manufacturers of trailer mounted, self propelled and vehicle mounted platforms.

NIFTYLIFT LTD
Fingle Drive
Stonebridge
Milton Keynes
MK13 0ER
England

www.niftylift.com

e-mail: info@niftylift.com
Tel.: +44 (0) 1908 223456
Fax.: +44 (0) 1908 312733

