

# nifty

# HR15

**SELF PROPELLED  
ACCESS PLATFORM**



**15.75m (51ft 8in)**  
Working height

**9.60m (31ft 6in)**  
Working outreach

**1.80m Chassis Width**  
Allowing operation in  
confined areas

**45% Gradeability Option**  
4 wheel drive available

**Fully Proportional  
Hydraulic Controls**  
Simple, reliable &  
easy to maintain

**1.80m Wide Platform**  
More room for tools  
& equipment

**Platform Rotation  
& Flyboom**  
Improved access to applications



[niftylift.com](http://niftylift.com)



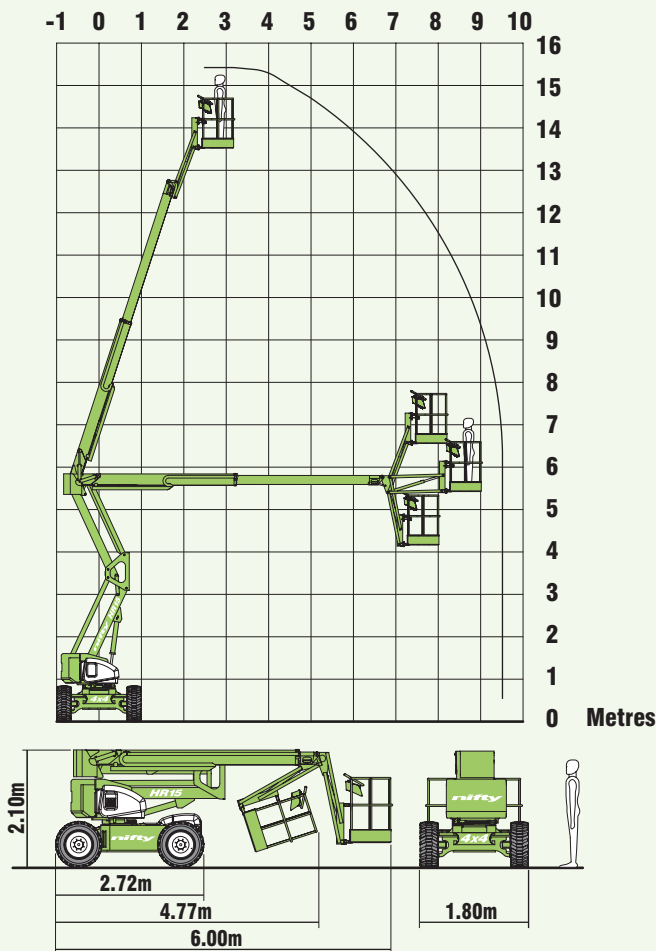
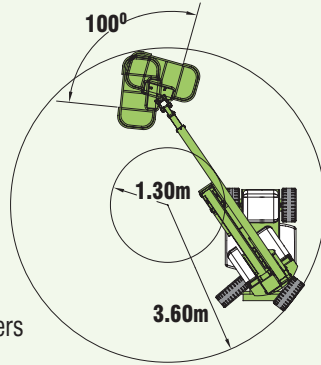
# nifty

## Heightrider 15

The Nifty Height Rider 15 offer one of the best working envelopes in its class and its compact yet robust base allows it to manoeuvre easily in restricted areas. A huge 1.80m wide platform provides more room for materials and tools and a 150° flyboom with platform rotation, helps to increase accuracy when positioning. Operation and maintenance are simple due to fully proportional hydraulic controls and the 4WD option allows the HR15 to travel over rough and un-even ground.

### SAFETY FEATURES

- Manual Recovery with Hand Pump
- Dual Controls (Platform & Base)
- Dual Harness Points
- Tilt Alarm
- CE Mark
- Foam Filled Tyres
- Automatic Failsafe Brakes
- Lock Valves on all Hydraulic Cylinders



The unique suspension system shown above ensures maximum traction when travelling over even surfaces and the spacious 1.80m wide platform allows the operator ample room for tools and materials.

### SPECIFICATIONS

|                                |                        |                    |
|--------------------------------|------------------------|--------------------|
| <b>Height - Working</b>        | 15.75m                 | 51ft 8in           |
| <b>Height - Platform</b>       | 13.75m                 | 45ft 1in           |
| <b>Outreach - Working</b>      | 9.60m                  | 31ft 6in           |
| <b>Slew</b>                    | 360°                   |                    |
| <b>Flyboom Arc</b>             | 150°                   |                    |
| <b>Width - Stowed</b>          | 1.80m                  | 5ft 11in           |
| <b>Height - Stowed</b>         | 2.10m                  | 6ft 11in           |
| <b>Length - (2x4)</b>          | 4.77m                  | 15ft 7in           |
| <b>(4x4)</b>                   | 6.00m                  | 19ft 7in           |
| <b>Weight - (2x4)</b>          | 5,600kg*               | 12,342lbs*         |
| <b>(4x4)</b>                   | 5,800kg*               | 12,783lbs*         |
| <b>Turning Radius - Inside</b> | 1.30m                  | 4ft 3in            |
| <b>- Outside</b>               | 3.60m                  | 11ft 10in          |
| <b>Platform Rotation</b>       | 100°                   |                    |
| <b>Platform Capacity</b>       | 225kg                  | 500lbs             |
| <b>Platform Size</b>           | 1.80m x 0.70m          | 5ft 11in x 2ft 4in |
| <b>Drive Speed</b>             | 3.2mph                 | 5.1kph             |
|                                | 4.1mph                 | 6.6kph             |
| <b>Gradeability</b>            | 45% (4x4)              | 30% (2x4)          |
| <b>Power System</b>            | Kubota 1505 32Hp (4x4) |                    |
|                                | Kubota 722 17Hp (2x4)  |                    |

\*Weights may vary according to specification, please confirm before ordering.

Due to a policy of continuing development and improvement, Niftylift reserves the right to change any specification without notice. Please confirm exact specification before ordering.

Supplied by:

Manufacturers of trailer mounted,  
self propelled and vehicle mounted platforms.



**NIFTYLIFT LTD**  
Fingle Drive  
Stonebridge  
Milton Keynes  
MK13 0ER  
England

www.niftylift.com  
e-mail: info@niftylift.com  
Tel.: +44 (0) 1908 223456  
Fax.: +44 (0) 1908 312733